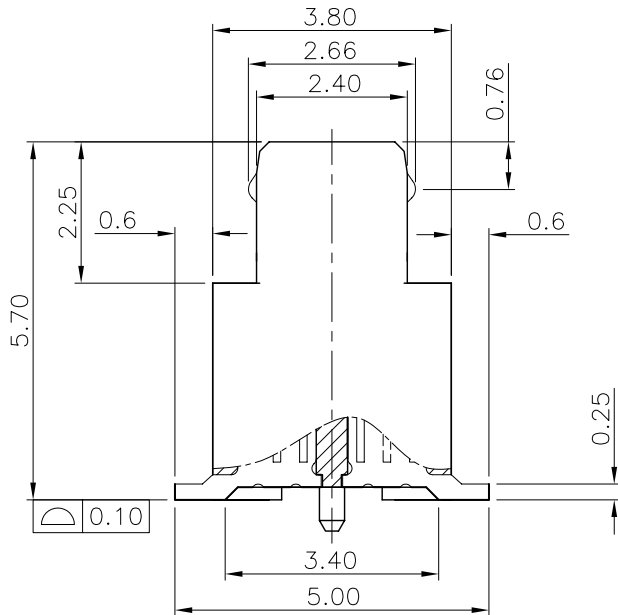
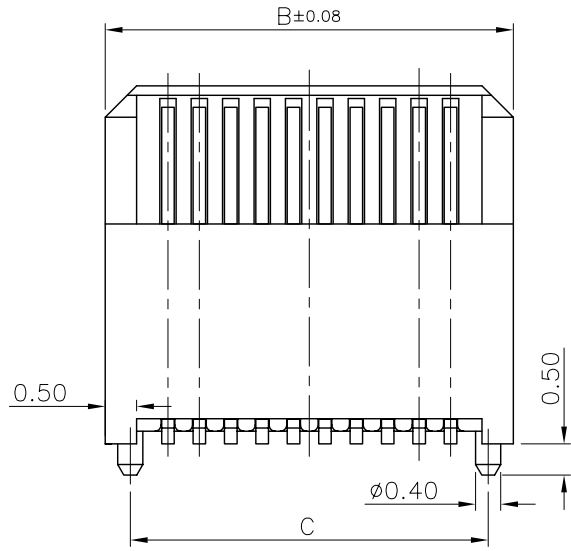


RECOMMENDED PCB LAYOUT
GENERAL TOLERANCE ±0.05



- NOTES:
- MATERIAL:
 - HOUSING: THERMOPLASTIC, HIGH TEMP., UL94V-0;
 - CONTACT: COPPER ALLOY
 - FINISH:
 - CONTACT: GOLD FLASH OVER ALL
50u" MIN. NICKEL UNDERPLATING OVERALL.
 - IR REFLOW CAPABLE TO 260°C PER ACES SPEC.
 - SPEC. PLS. REFER TO PS-50037-xxxxx-xxx
 - PACKAGE PLS. REFER TO 88166-XXXXX-TRP
 - PART NUMBER

50036-XXX X X-XXX

NO OF CKT

XXX	Housing Color	Halogen Free
001	Black	HF

PLATING
1: GOLD FLASH OVER ALL

PACKING
0:TAPE&REEL
1:TUBE

CKT	Dim A	Dim B	Dim C
10	2.0	4.0	3.2
16	3.5	5.5	4.7
18	4.0	6.0	5.2
20	4.5	6.5	5.7
26	6.0	8.0	7.2
30	7.0	9.0	8.2
34	8.0	10.0	9.2
36	8.5	10.5	9.7
40	9.5	11.5	10.7
50	12.0	14.0	13.2
60	14.5	16.5	15.7
70	17.0	19.0	18.2
80	19.5	21.5	20.7
100	24.5	26.5	25.7
120	29.5	31.5	30.7
160	39.5	41.5	40.7
200	49.5	51.5	50.7

一般公差 TOLERANCES X ±0.5 XX ±0.15 X ±0.25 XXX ±0.1 ANGLES ±2°		宏致電子股份有限公司 Aces Electronic Co.,Ltd.	
檢驗尺寸標示 SYMBOLS ⊕ ⊗ INDICATE CLASSIFICATION DIMENSION ⊕ MARK IS CRITICAL DIM. ⊗ MARK IS MAJOR DIM.		品名 (TITLE) 0.5mm BTB D/R RCPT SMT S/T TYPE 圖號 (DWG.NO) 50036-XXXXX-XXX	
表面處理 (FINISH)		比例 (SCALE) 單位 (UNITS) 10:1 mm	
製圖 (DR) 08/10/10 Even 審核 (CHKD) WGCH 核准 (APPD) JASON		張數 (SHEET) 1 OF 1 SIZE A4 REV 0	

0	NEW DRAWING	08/10/10	Even
REV	修改摘要 REVISION DESCRIPTION	日期 DATE	簽名 SIGNATURE